

ORDERING CODE

G4

D

PROJECT INFO

TYPE

DATE

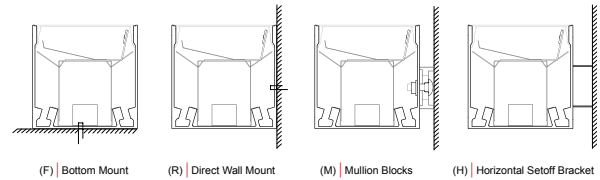
QUANTITY

PERFORMANCE AT 4000K

OUTPUT	DISTRIBUTION	NOMINAL LUMEN OUTPUT	INPUT WATTS	EFFICACY
V. High	Symmetric Wide	1,832 lm/ft	20 W/ft	96 lm/W
High	Symmetric Wide	916 lm/ft	9.5 W/ft	96 lm/W
	Asymmetric	882 lm/ft	9.5 W/ft	93 lm/W
Standard	Symmetric Wide	461.5 lm/ft	4.75 W/ft	97 lm/W
	Asymmetric	441 lm/ft	5 W/ft	93 lm/W

Custom tuned output available from 25% to 125% of high output. Please consult factory for custom lumen output and wattage.

MOUNTING OPTIONS



G4	LENGTH OR PATTERN TYPE	OUTPUT	LED CCT	LED CRI	VOLTAGE	INDIRECT DISTRIBUTION
G4	Nominal Length* M_ Exact Length** PL_ "L" Shape*** PU_ "U" Shape*** PR_ Rectangle / Square*** CP_ Custom Pattern**** <small>*Specify in feet to the nearest foot (i.e. 12) **Specify in inches to then nearest 1/8 (i.e. M180.125) ***Specify in inches to the nearest 1/8 (See Pattern Guide for configurations) ****Contact Design Assist</small>	LS Standard Output LH High Output LVH Very High Output* C_ Custom Output*** <small>*Available on "M" symmetric wide distribution only **Contact Design Assist for available custom tuned output range</small>	27 2700K 30 3000K 35 3500K 40 4000K TW Tunable White* DW Dim-to-warm* <small>*Standard CCT range is 27-50K. Contact Design Assist for custom range</small>	CRI 80+ CRI 90+ CRI <small>*Not offered with (TW) Tunable white or (DW) Dim-to-warm.</small>	U 120V - 277V 3 347V* <small>*Not available with LEDcode or EM.</small>	M Symmetric Wide* N Asymmetric <small>*Not recommended with wall or mullion mounting</small>

D	INDIRECT OPTICS	MOUNTING	FINISH	DIMMING	EMERGENCY
D	Rigid Diffuse Dust Cover	R Direct Wall Mount M_ Mullion Blocks* H_ Horizontal Setoff Bracket** F Bottom / Surface Mount <small>*Enter "1" for 1" depth. Enter "5" for 1/2" depth **Enter "1" for 1" depth. Enter "5" for 1/2" depth. Not available with wet location.</small>	T Titanium W White B Black O_ Other* <small>*Specify RAL#</small>	D Standard 0-10V dimming* D2 Phase dimming** D3 DMX 0.1% dim-to-dark D4 DALI dim-to-off NAIR nLight@AIR (dim-to-off)*** NWIR nLight@Wired (dim-to-off) <small>*Dimming to 1% slated for standard 0-10V dimming **Reference ERP-PHB driver for compatible dimmers. *** nLight AIR components completely integrated into fixture. Not available with 347V + LEDcode or EM. If 347V, only available in 0-10v.</small>	EC Emergency - circuited E_ Emergency - battery* <small>*Factory-installed emergency battery pack. Specify desired quantity of batteries. Not available on fixtures < 4' length. Not available for 347V. See technical data for more information.</small>

SENSORS	OPTIONS
OF Occupancy Sensor - Fixture PF Photocell / Daylight Sensor - Fixture OPF Occupancy / Daylight Sensor - Fixture	M Multi-Circuit* R Right Endcap Feed L Left Endcap Feed K Natatorium Application** Q Wet Location*** MRI MRI**** <small>**Submit multi-circuiting requirements **Not available with horizontal setoff bracket. See guide and contact Design Assist. Special hardware is utilized for this rating ***Not available with horizontal setoff bracket. Wet location suitable in full coverage and/or mullion mounted applications (direct to sky not recommended); not suitable for extreme weather applications. Refer to Wet Location brochure and contact Design Assist for more information. **** Review MRI brochure for more information.</small>

*Sensor will be matched to dimming input. All sensors to be integral to fixture. Remote sensors are to be provided by others.

LIGHT OUTPUT

DISTRIBUTION

Indirect Asymmetric

OUTPUT

LVH: Very high output - 20 W/ft
 LH: High output - 10 W/ft
 LS: Standard output - 5 W/ft
 C: Custom tuned output - Specify Wattage

LIGHT LOSS FACTORS

LH: Baseline
 LS: 50%
 4000K: Baseline
 3500K: 97%
 3000K: 93%
 80+CRI: Baseline
 90+CRI: 80%

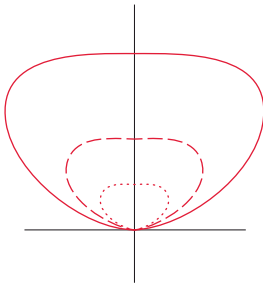
PHOTOMETRIC DATA

INDIRECT SYMMETRIC WIDE

LH - 4000K - DUST COVER

Lumens: 916 lm/ft
 Input watts: 9.5 W/ft
 Efficacy: 96 lm/W

LVH ———
 LH - - - -
 LS ······

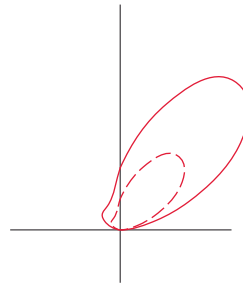


INDIRECT ASYMMETRIC

LH - 4000K - DUST COVER

Lumens: 882 lm/ft
 Input watts: 9.5 W/ft
 Efficacy: 93 lm/W

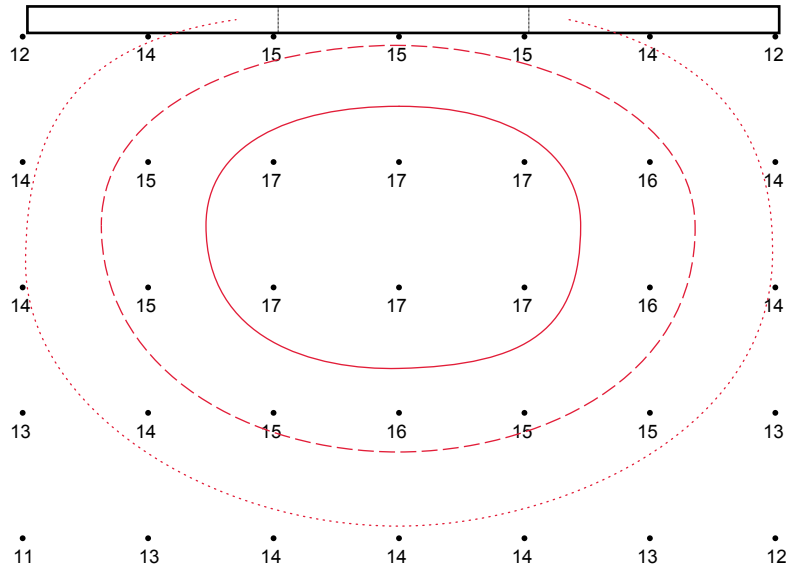
LH ———
 LS - - - -



SAMPLE INSTALLATION - CORRIDOR

ASYMMETRIC - LH UP / 4000K

Corridor height: 12 ft
 Reflectance: 80% / 50% / 20%
 Mounting height: 9 ft A.F.F. (on wall)
 Fixture length: 12 ft
 Calculation grid: 2 ft x 2 ft
 Calculation plane (horizontal): On floor
 Average Illuminance: 15 fc
 Uniformity: 1.3:1 (avg/min)

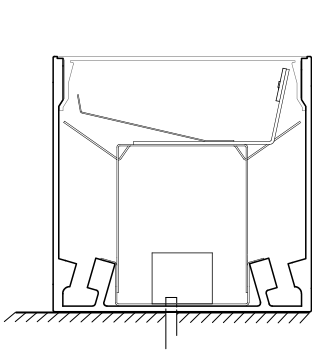


TOP VIEW
 16 fc ———
 15 fc - - - -
 14 fc ······

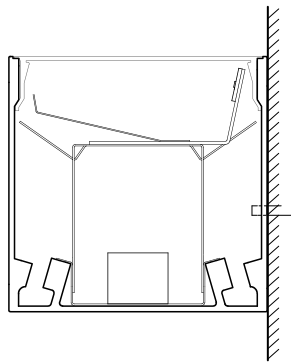
LIGHT LOSS FACTORS (LLF)

OUTPUT	CCT	INDIRECT			
		SYMMETRIC WIDE		Asymmetric	
		CRI 80 +	CRI 90 +	CRI 80 +	CRI 90 +
VH <small>(very high)</small>	4000k	1832 lm/ft	1618 lm/ft	-	-
	3500k	1794 lm/ft	1565 lm/ft	-	-
	3000k	1726 lm/ft	1478 lm/ft	-	-
	2700k	1660 lm/ft	1401 lm/ft	-	-
LH <small>(high)</small>	4000k	916 lm/ft	809 lm/ft	882 lm/ft	779 lm/ft
	3500k	897 lm/ft	782 lm/ft	863 lm/ft	753 lm/ft
	3000k	863 lm/ft	739 lm/ft	831 lm/ft	712 lm/ft
	2700k	830 lm/ft	701 lm/ft	799 lm/ft	675 lm/ft
LS <small>(standard)</small>	4000k	462 lm/ft	408 lm/ft	441 lm/ft	389 lm/ft
	3500k	452 lm/ft	394 lm/ft	432 lm/ft	377 lm/ft
	3000k	435 lm/ft	372 lm/ft	415 lm/ft	356 lm/ft
	2700k	418 lm/ft	353 lm/ft	400 lm/ft	337 lm/ft

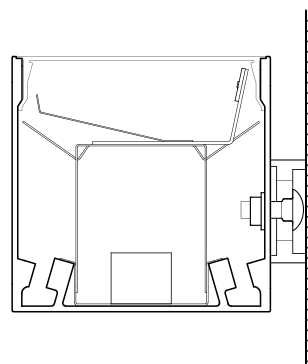
Factors above for high output (LH).
For standard output (LS) -50%.



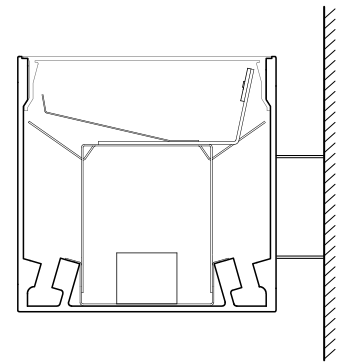
(F) | Bottom mount



(R) | Direct wall mount

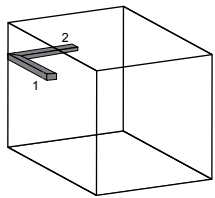


(M) | Mullion blocks

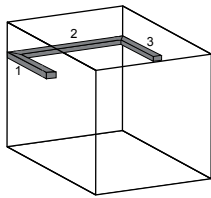


(H) | Horizontal setoff bracket

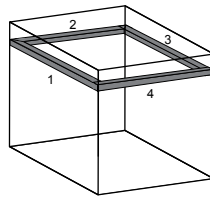
STANDARD PATTERNS



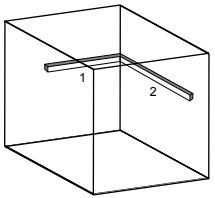
(PL)



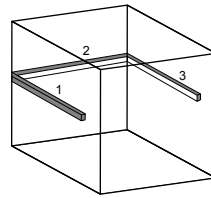
(PU)



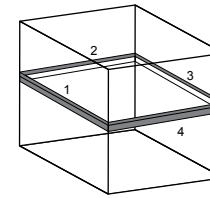
(PR)



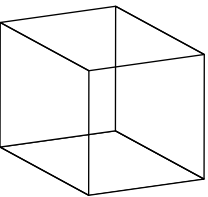
(PLWW) | Wall to wall



(PUWW) | Wall to wall



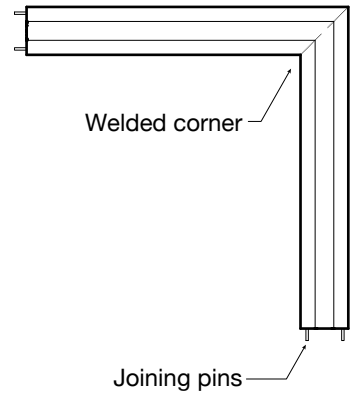
(PRWW) | Rectangle wall to wall



(PC) | Custom pattern

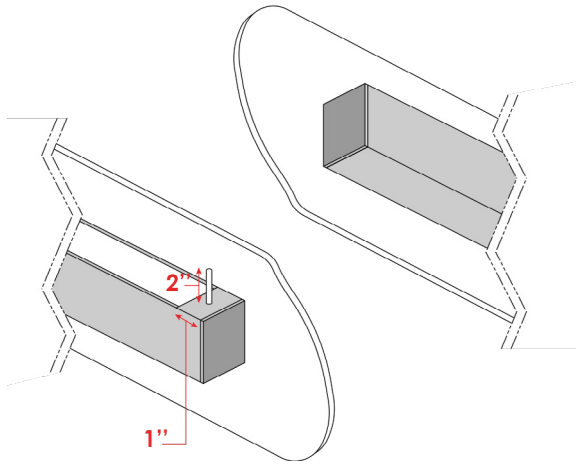
*Contact Design Assist

CORNER DETAIL



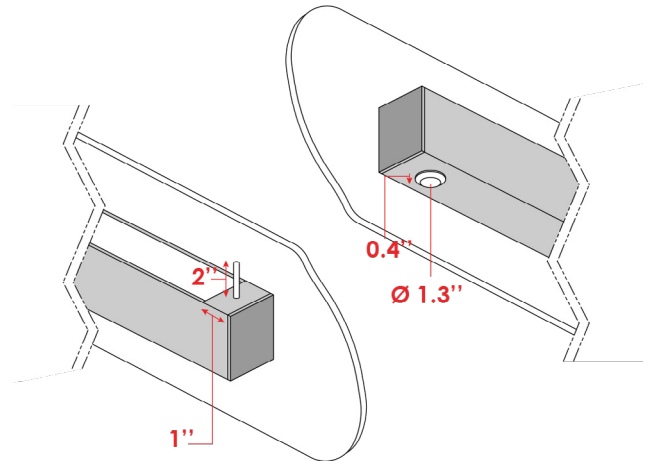
NLIGHT® DIMENSIONS

AIR : r10 Wall mount



*Fixture mounted sensors and filler panel for nLight AIR only.

AIR : rES7 Wall mount



*Fixture mounted sensors and filler panel for nLight AIR only.

LINEAR DIMENSIONS

Nominal or exact lengths to the nearest 1/8th of an inch available as individual fixtures or joined to create continuous row lengths. Patterns comprised of 90 degree precisely welded fully illuminated corners provide a multitude of geometric options and architectural transitions.

Custom - Contact [Design Assist](#) for modifications to product not detailed within Elements or Integrations specification sheets.

OPTICS

A rigid partially diffuse extruded dust cover lens optimized for indirect LED performance delivers 92% transmittance.

LED LIGHT SOURCE

Custom manufactured linear board array uses high performance Nichia® LED in combination with a performance driven heat sink technology. Tested in accordance with LM79 and LM-80; L70>60,000hr; operated at reduced output for high efficacy and lumen maintenance. 2700K, 3000K, 3500K, and 4000K with 80+ CRI standard; other color temperatures and 90+ CRI available upon request, contact factory. LED color variation maintained at a 3-step MacAdam ellipse (SDCM 3x). LEDs are available in Low, Standard, and High outputs. Refer to photometry for delivered lumens. Custom output in the range of 25% to 125% of high output, contact factory.

LED DIMMING DRIVER

Factory tuned constant current electronic 0-10V control dimming driver is standard. Specification grade dimming down to 1%. Driver life of 50,000 hrs with ambient operating temperature range of -30°C to 50°C, maximum case temperature of 75°C. Electrical specifications at maximum driver load: PF >0.9, THD <20%, >85% Efficiency.

EMERGENCY

This luminaire is provided with a factory installed LED emergency lighting battery pack for both normal and emergency operation, 120-277v only. This fixture integrated unit contains long-life Ni-Cad recyclable battery, 24 hour charger, and converter circuit. Test switch and charge indicator provided. Test button to be remote located within 3 feet of the luminaire, by others in accordance with local code. Emergency mode provides constant power to a nominal 12W LED load for a period of 90 minutes, delivering 1200 lumens of unwavering illumination throughout the full 90 minute emergency duration. Unless otherwise specified, the emergency battery pack will illuminate one 2 foot end in the direct portion of the fixture.

Emergency circuiting provided as a separate circuit from normal power circuit according to NEC requirements, specify circuit length and location.

CONTROLS

Low-profile integral occupancy and daylight sensors are available to deliver high performance control in an architecturally pleasing package.

Integrated nLight® for system networking wired and wireless:

NLIGHT® AIR WIRELESS

The integrated API smart sensor is part of each luminaire in the nLight® AIR network, which can be grouped to control multiple luminaires. The granularity of control with the digital PIR occupancy detection and daylight sensing makes a great solution for any application. Optionally you can order nLight® AIR less sensors for compatibility with an nLight Air wireless system. The rIO, rES7, rMSOD, and rCMS models are available for integration.

CONTROLS AND SYSTEM NETWORKING OPTIONS

For wired networking via Cat-5e, choose an nLight® wired module. The nIO EZ PH, nIO EZDL CCT, nES7 and nCM are available for integration.

nLight enabled, remote mounted controls provided by others. Please contact an Acuity controls representative for more information.

MOUNTING

Fixture mounts directly to surface requiring field drilled mounting and power feed holes. Factory pre-drilled holes can be drilled and tapped for 1/2" chase nipple, submit dimension requirements when ordering.

Mullion Blocks are used to mount fixture to a horizontal or vertical window mullion and can also be used to offset fixture from wall. 1/2" or 1" deep milled aluminum blocks are available standard, 3/8" and 2" deep blocks also available upon request. (2) blocks provided for fixtures 8ft or less, fixtures larger than 8ft provided with (3) blocks every 12ft. Quantity of power feed and non power feed blocks provided as required. Fixture mounting requires field drilled mounting and power feed holes. Factory pre-drilled holes can be drilled and tapped for 1/2" chase nipple, submit dimension requirements when ordering.

Horizontal Set-off brackets are used to offset fixture from a wall by 1" or 1/2". Wall side bracket attaches to horizontal single gang box on wall. Outside horizontal box is factory-installed to fixture side. Fixture side box hinges over wall bracket and two brackets are fastened together with set screw to secure fixture to wall. (2) brackets per fixture up to 12', on center spacing varies depending on overall fixture length.

STRUCTURE

Robust, high quality 60% recycled aluminum extruded housing. 0.040" thick aluminum internal gear trays. Flat or flanged aluminum end caps. Aluminum joiner brackets. 5 lbs/ft approximate fixture weight.

FINISH

Electrostatically applied powder coat finish. Standard finish options include Titanium, white, and black. Other colors and custom finish options available, specify RAL# or contact factory regarding custom finish requirement.

LISTING

UL/CUL rated for Damp Locations. Tested in accordance with UL 1598 and certified to CEC/CSA C22.1, NEC, ANSI/NFPA 70, and NOM-001-SEDE.

UL Wet location label available. Complies with UL definition of wet locations to prevent accumulation of water on live parts, electrical components, or conductor not identified for use in contact with water through the provision of weep holes. Neoprene gaskets provided at end caps to prevent ingress of liquids. For continuous fixture runs, wet location joiner blocks are provided. Waterproof connector to be provided by others. Installing contractor responsible for properly sealing and waterproofing all field drilled mounting and power feed locations.

WARRANTY

Please refer to the full terms and conditions on our website:
<https://www.alights.com/downloads/warranty/>